

## AC Series • Current Transformer Quick Reference Guide

### Low Cost 50/60Hz Current Transformers

#### Applications

- Sensing Overload Current
- Ground fault detection
- Metering
- Analog to Digital Circuits

#### Features

- Excellent quality at extremely competitive price due to high volume production
- Manufactured in an ISO 9001:2008, ISO/TS 16949:2009 and ISO 14001:2004 certified Talema facility
- Fully RoHS & REACH Compliant

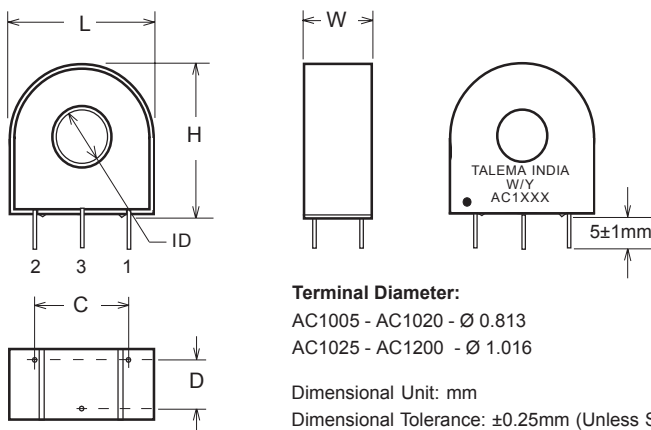


### Electrical Specifications at 20°C

#### AC Series • Standard Accuracy Current Transformers

Part No.	I <sub>p</sub> Amps	Turns Ratio	Terminating Resistor		DCR (Ohms) Nominal	RCF @ 10%	Volts/Amp @ rated I <sub>p</sub> for various loads (Ohms)				lex μArms	Vex Vrms	Net Weight (grams)	Case Dimensions - mm					
			Ohms	Watt			100	500	2K	5K				L	ID	H	W	C	D
AC1005	5	1000:1	100	0.0025	41.80	1.010	0.10	0.46	1.43	2.01	237	0.66	16.3	23.80	9.50	23.80	11.12	15.24	7.62
AC1010	10	1000:1	100	0.0100	41.80	1.010	0.10	0.45	1.10	1.42	386	1.32	16.3	23.80	9.50	23.80	11.12	15.24	7.62
AC1015	15	1000:1	100	0.0230	41.80	1.010	0.10	0.45	0.90	1.12	513	1.99	16.3	23.80	9.50	23.80	11.12	15.24	7.62
AC1020	20	1000:1	100	0.0400	41.80	1.010	0.10	0.43	0.76	0.93	628	2.65	16.3	23.80	9.50	23.80	11.12	15.24	7.62
AC1025	25	1000:1	100	0.0630	48.00	1.020	0.10	0.47	1.06	1.31	566	3.65	35.5	30.20	11.40	30.20	14.30	20.32	10.16
AC1030	30	1000:1	100	0.0900	48.00	1.020	0.10	0.47	0.95	1.16	644	4.38	35.5	30.20	11.40	30.20	14.30	20.32	10.16
AC1040	40	1000:1	100	0.1600	49.30	1.026	0.10	0.46	0.87	1.05	914	5.82	47.3	34.90	14.60	34.90	14.30	25.40	10.16
AC1050	50	1000:1	100	0.2500	49.30	1.026	0.10	0.43	0.76	0.90	1090	7.28	47.3	34.90	14.60	34.90	14.30	25.40	10.16
AC1060	60	1000:1	100	0.3600	24.00	1.001	0.10	0.44	0.66	0.76	1250	7.41	65.2	38.10	14.60	38.10	15.90	33.00	10.16
AC1075	75	1000:1	100	0.5700	24.00	1.001	0.10	0.39	0.57	0.65	1520	9.26	65.2	38.10	14.60	38.10	15.90	33.00	10.16
AC1100	100	1000:1	100	1.0000	21.30	1.001	0.10	0.34	0.50	0.56	1740	12.00	80.0	44.50	19.05	44.50	14.30	35.56	10.16
AC1150	150	1000:1	100	2.2500	11.00	1.002	0.10	0.37	0.50	0.55	1820	16.60	150.0	55.60	23.80	55.60	20.60	45.72	12.70
AC1200	200	1000:1	100	4.0000	11.00	1.002	0.10	0.31	0.41	0.45	2340	22.20	150.0	55.60	23.80	55.60	20.60	45.72	12.70

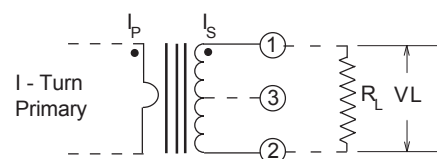
#### Mechanical Drawing



I<sub>p</sub> : Primary Current  
 R<sub>L</sub> : Terminating Resistor  
 RCF : Ratio correction factor - Multiply current readings by this factor to compensate for transformer losses

#### Notes:

- 1) Unless requested, the terminating resistor and the one-turn primary are not supplied
- 2) Pin 3: Normally for mechanical support only but will be used on center tapped designs
- 2) Each part number adjusted to be most accurate at specified load



## AC1005 • 5 Amp Current Transformer

### Low Cost 50/60Hz Current Transformers

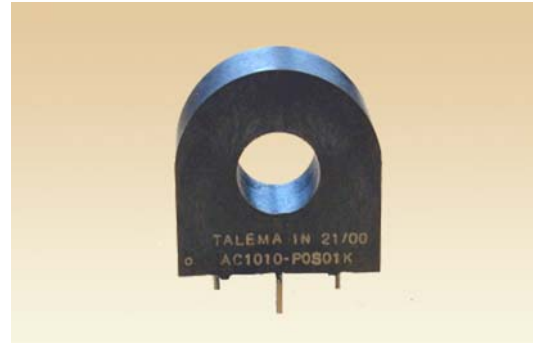
#### Applications

- Sensing Overload Current
- Ground fault detection
- Metering
- Analog to Digital Circuits



#### Features

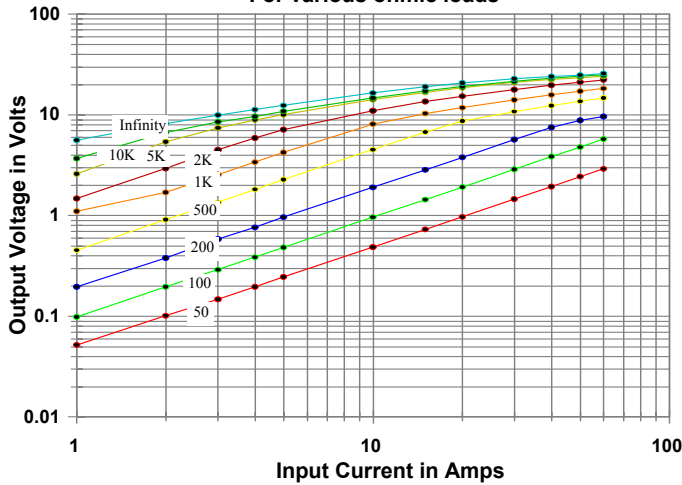
- Competitive pricing due to high volume production
- Confirms to UL94V-0
- Manufactured in an ISO 9001:2008, ISO/TS 16949:2009 and ISO14001:2004 certified facility
- Fully RoHS & REACH Compliant



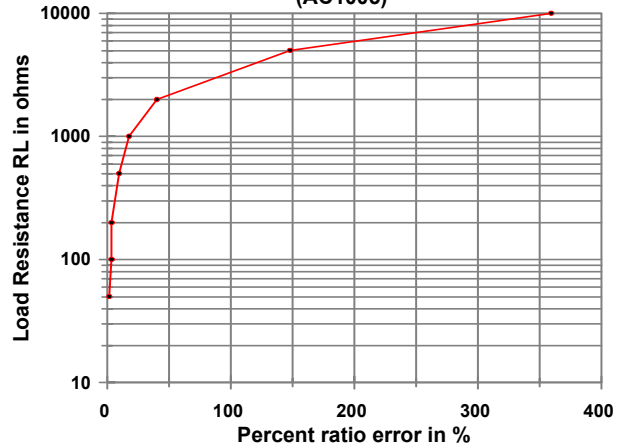
Environmental Specifications	
Storage Temperature	-55° to +130°C
Insulation Resistance	100 megohms min.

Electrical Specifications @ 20°C ambient	
Primary Current	5A nom., 60A max.
Turns Ratio	1000:1 nominal
Volt per Amp Ratio at 5A for 100 Ohms load	0.100 V/A
Volt per Amp Ratio at 0.5A for 100 Ohms load	0.096 V/A
DC Resistance at 20°C	41.8 Ohms
Dielectric Withstanding Voltage (Hi-pot)	4KVrms

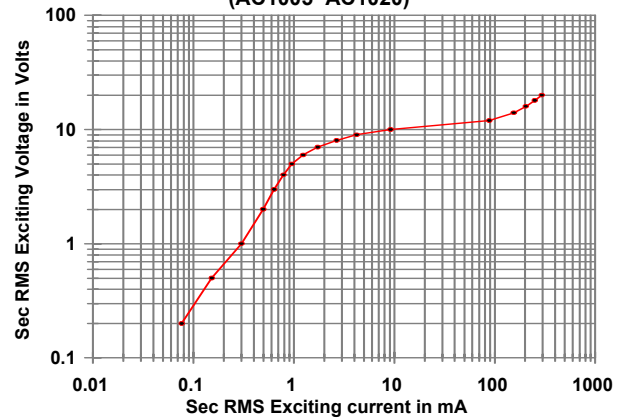
**Output Volts vs Input Current  
For various ohmic loads**



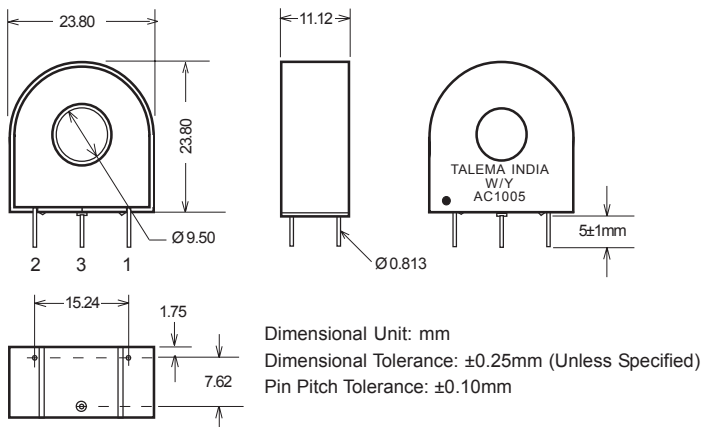
**%RE vs RL at Rated primary current  
(AC1005)**



**Typical Excitation Curve  
(AC1005-AC1020)**

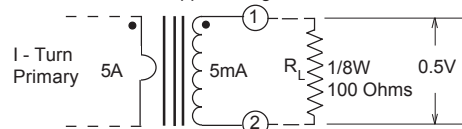


#### Mechanical Drawing



#### Notes:

- 1) Unless requested, the terminating resistor and the one-turn primary are not supplied
- 2) Pin 3: Normally for mechanical support only but will be used on center tapped designs



## AC1010 • 10 Amp Current Transformer

### Low Cost 50/60Hz Current Transformers

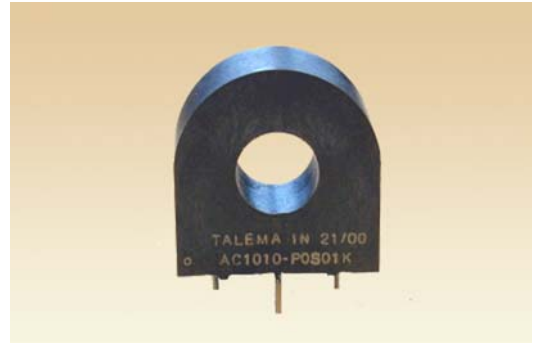
#### Applications

- Sensing Overload Current
- Ground fault detection
- Metering
- Analog to Digital Circuits



#### Features

- Competitive pricing due to high volume production
- Confirms to UL94V-0
- Manufactured in an ISO 9001:2008, ISO/TS 16949:2009 and ISO14001:2004 certified facility
- Fully RoHS & REACH Compliant

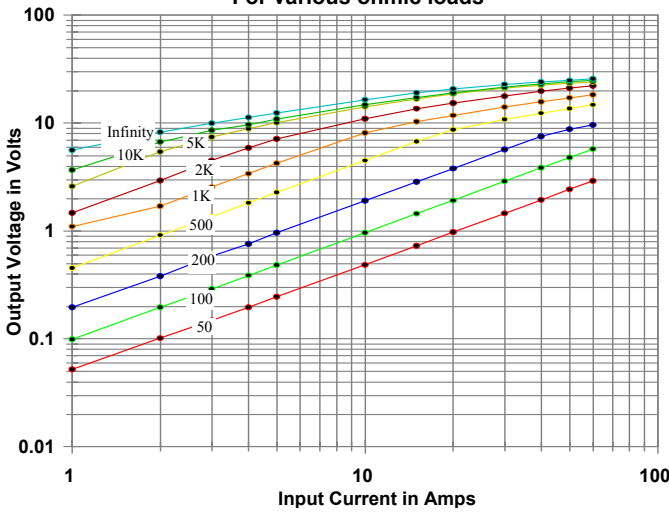


#### Environmental Specifications

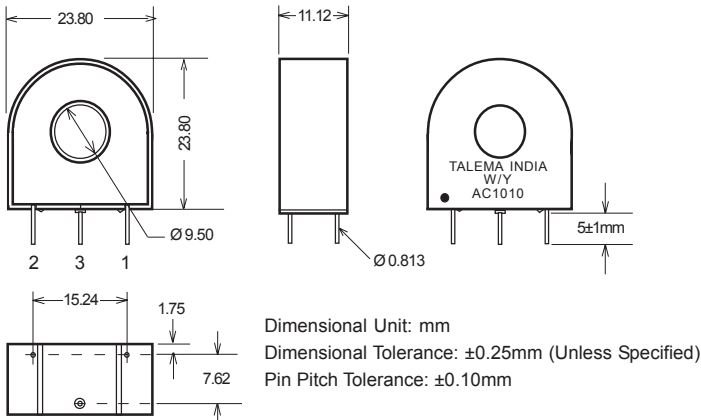
Storage Temperature	-55° to +130°C
Insulation Resistance	100 megohms min.

Electrical Specifications @ 20°C ambient	
Primary Current	10A nom., 60A max.
Turns Ratio	1000:1 nominal
Volt per Amp Ratio at 10A for 100 ohm load	0.100 V/A
Volt per Amp Ratio at 1A for 100 ohm load	0.097 V/A
DC Resistance at 20°C	41.8 ohms
Dielectric Withstanding Voltage (Hi-pot)	4KVrms

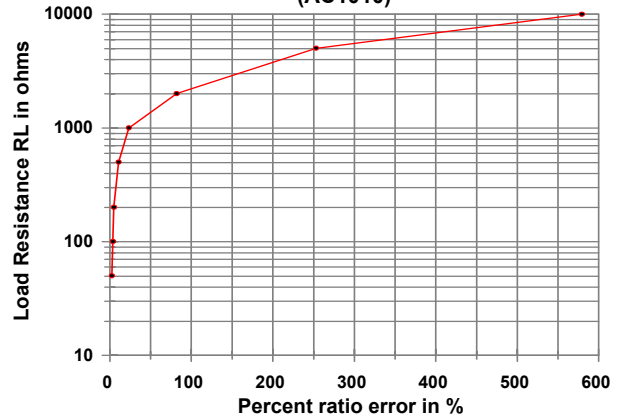
**Output Volts vs Input Current  
For various ohmic loads**



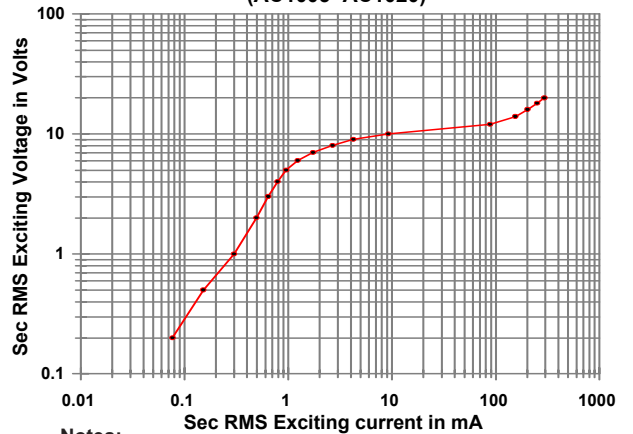
**Mechanical Drawing**



**%RE vs RL at Rated primary current  
(AC1010)**

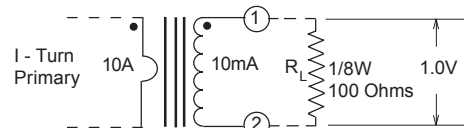


**Typical Excitation Curve  
(AC1005~AC1020)**



**Notes:**

- 1) Unless requested, the terminating resistor and the one-turn primary are not supplied
- 2) Pin 3: Normally for mechanical support only but will be used on center tapped designs



## AC1015 • 15 Amp Current Transformer

### Low Cost 50/60Hz Current Transformers

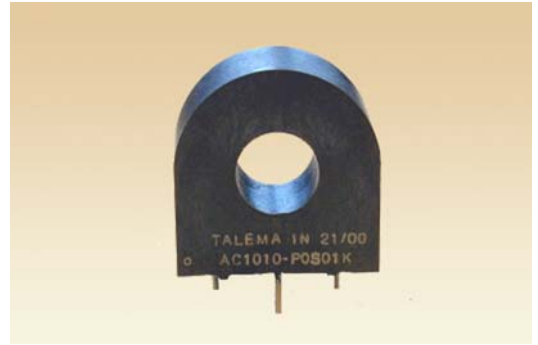
#### Applications

- Sensing Overload Current
- Ground fault detection
- Metering
- Analog to Digital Circuits



#### Features

- Competitive pricing due to high volume production
- Confirms to UL94V-0
- Manufactured in an ISO 9001:2008, ISO/TS 16949:2009 and ISO14001:2004 certified facility
- Fully RoHS & REACH Compliant

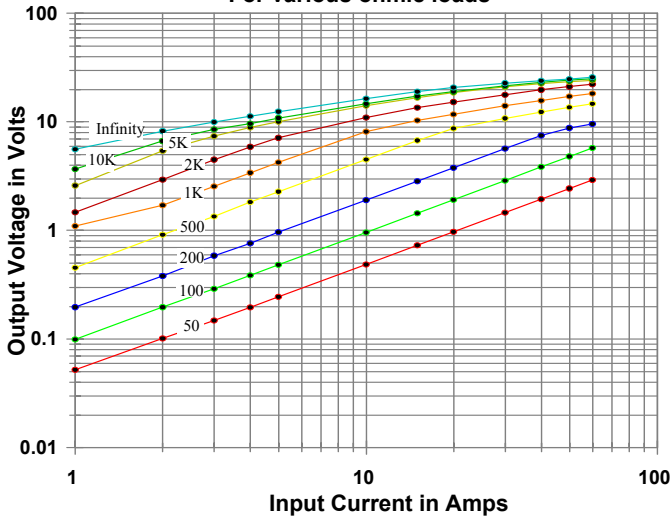


#### Environmental Specifications

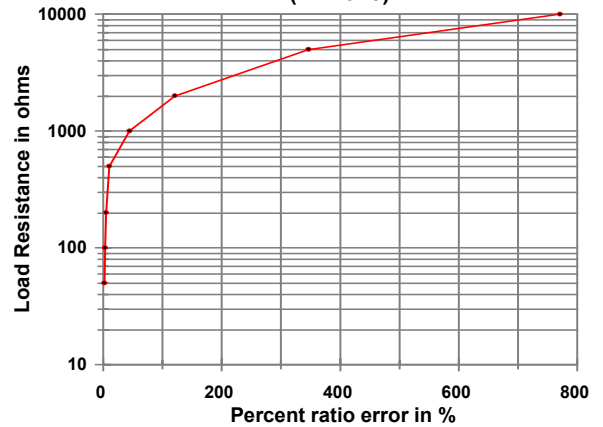
Storage Temperature	-55° to +130°C
Insulation Resistance	100 megohms min.

Electrical Specifications @ 20°C ambient	
Primary Current	15A nom., 60A max.
Turns Ratio	1000:1 nominal
Volt per Amp Ratio at 15A for 100 ohm load	0.100 V/A
Volt per Amp Ratio at 1.5A for 100 ohm load	0.097 V/A
DC Resistance at 20°C	41.8 ohms
Dielectric Withstanding Voltage (Hi-pot)	4KVrms

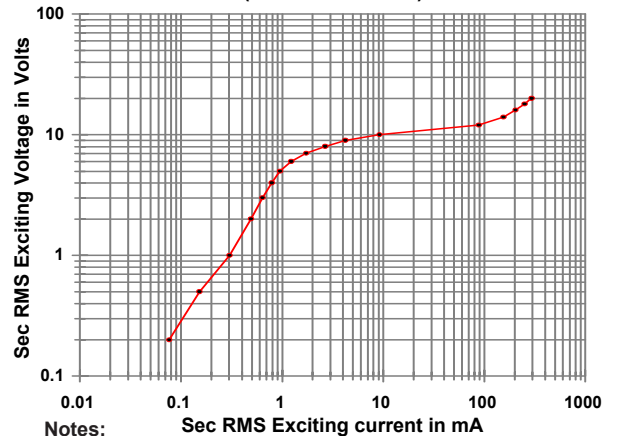
**Output Volts vs Input Current  
For various ohmic loads**



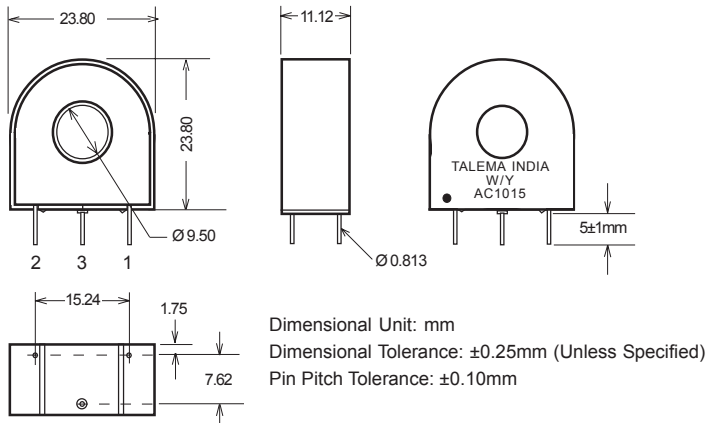
**%RE vs RL at Rated primary current  
(AC1015)**



**Typical Excitation Curve  
(AC1005-AC1020)**

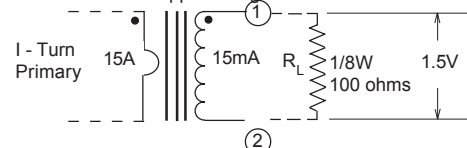


#### Mechanical Drawing



#### Notes: Sec RMS Exciting current in mA

- 1) Unless requested, the terminating resistor and the one-turn primary are not supplied
- 2) Pin 3: Normally for mechanical support only but will be used on center tapped designs



## AC1020 • 20 Amp Current Transformer

### Low Cost 50/60Hz Current Transformers

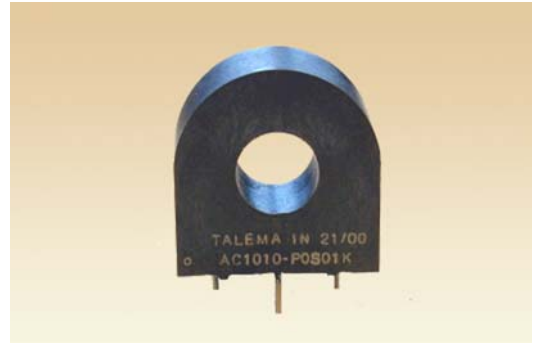
#### Applications

- Sensing Overload Current
- Ground fault detection
- Metering
- Analog to Digital Circuits



#### Features

- Competitive pricing due to high volume production
- Confirms to UL94V-0
- Manufactured in an ISO 9001:2008, ISO/TS 16949:2009 and ISO14001:2004 certified facility
- Fully RoHS & REACH Compliant

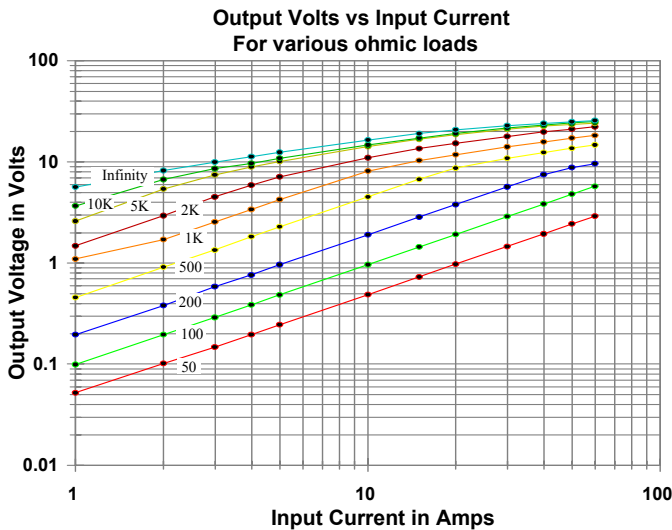
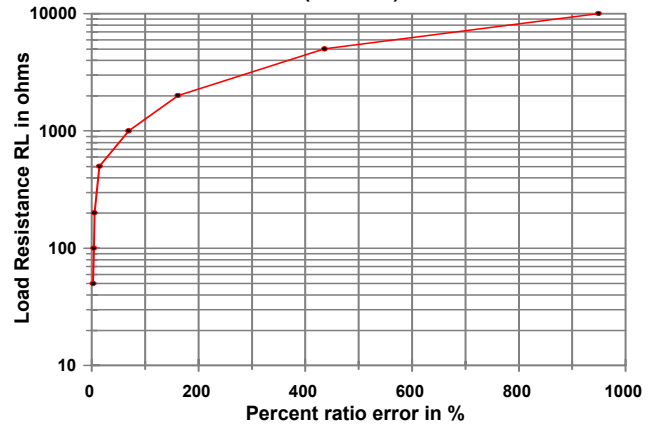


#### Environmental Specifications

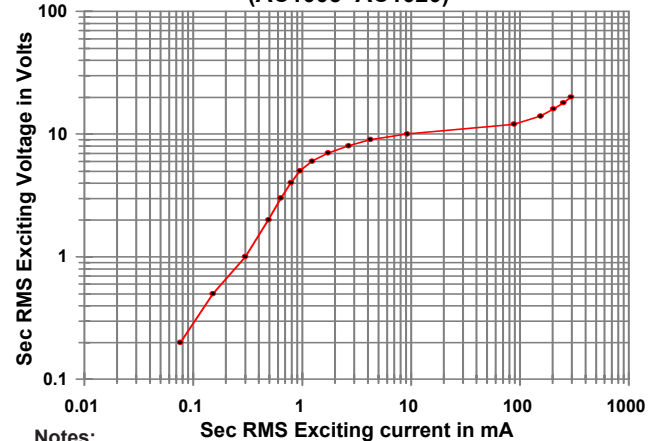
Storage Temperature	-55° to +130°C
Insulation Resistance	100 megohms min.

Electrical Specifications @ 20°C ambient	
Primary Current	20A nom., 60A max.
Turns Ratio	1000:1 nominal
Volt per Amp Ratio at 20A for 100 Ohms load	0.100 V/A
Volt per Amp Ratio at 2A for 100 Ohms load	0.097 V/A
DC Resistance at 20°C	41.8 Ohms
Dielectric Withstanding Voltage (Hi-pot)	4KVrms

**%RE vs RL at Rated primary current  
(AC1020)**

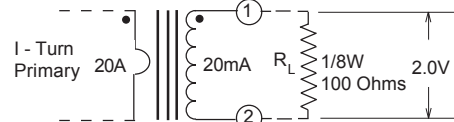


**Typical Excitation Curve  
(AC1005-AC1020)**

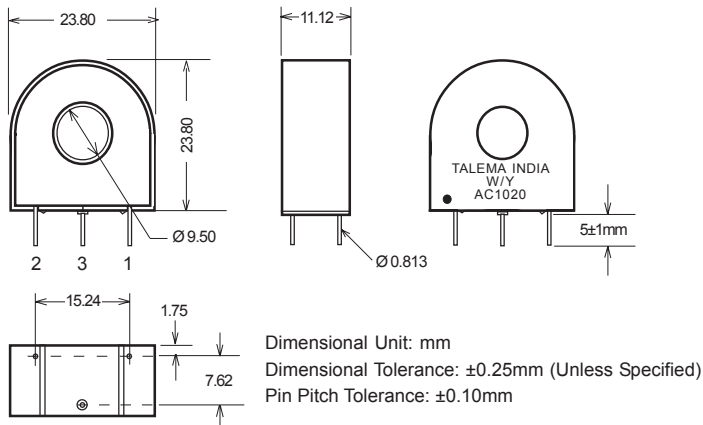


**Notes:**

- 1) Unless requested, the terminating resistor and the one-turn primary are not supplied
- 2) Pin 3: Normally for mechanical support only but will be used on center tapped designs



#### Mechanical Drawing



## AC1025 • 25 Amp Current Transformer

### Low Cost 50/60Hz Current Transformers

#### Applications

- Sensing Overload Current
- Ground fault detection
- Metering
- Analog to Digital Circuits



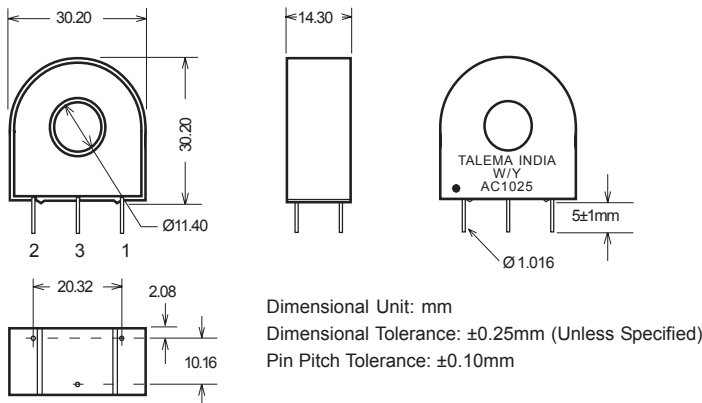
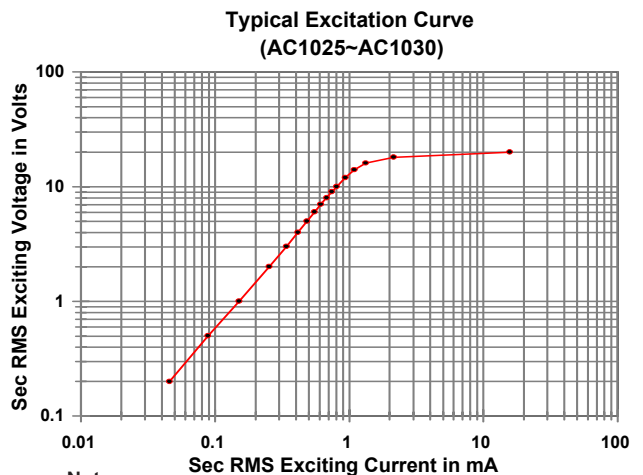
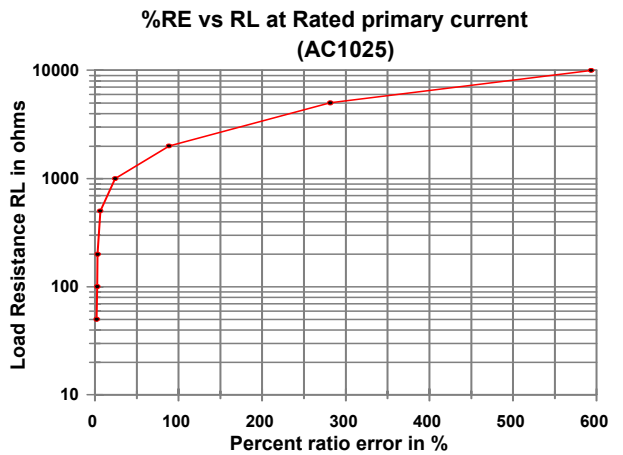
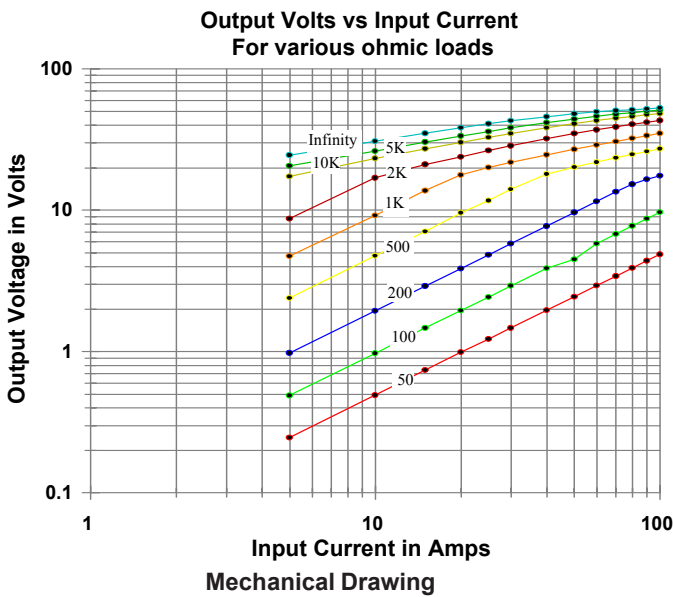
#### Features

- Competitive pricing due to high volume production
- Confirms to UL94V-0
- Manufactured in an ISO 9001:2008, ISO/TS 16949:2009 and ISO14001:2004 certified facility
- Fully RoHS & REACH Compliant



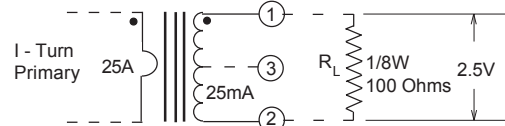
Electrical Specifications @ 20°C ambient	
Primary Current	25A nom., 75A max.
Turns Ratio	1000:1 nominal
Volt per Amp Ratio at 25A for 100 Ohms load	0.100 V/A
Volt per Amp Ratio at 2.5A for 100 Ohms load	0.098 V/A
DC Resistance at 20°C	48 Ohms
Dielectric Withstanding Voltage (Hi-pot)	4KVrms

Environmental Specifications	
Storage Temperature	-55° to +130°C
Insulation Resistance	100 megohms min.



#### Notes:

- 1) Unless requested, the terminating resistor and the one-turn primary are not supplied
- 2) Pin 3: Normally for mechanical support only but will be used on center tapped designs



## AC1030 • 30 Amp Current Transformer

### Low Cost 50/60Hz Current Transformers

#### Applications

- Sensing Overload Current
- Ground fault detection
- Metering
- Analog to Digital Circuits



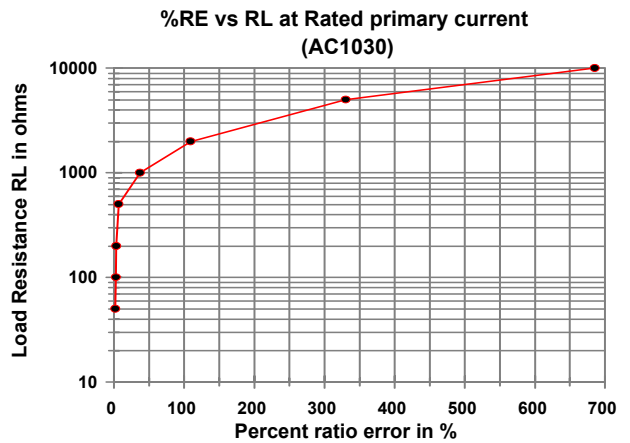
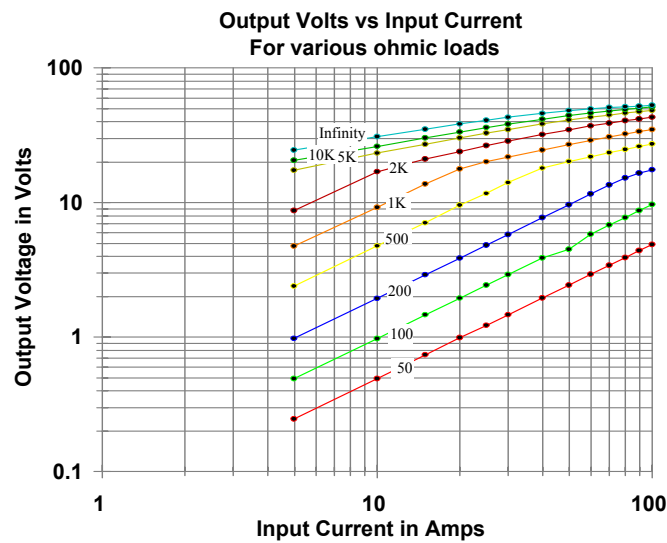
#### Features

- Competitive pricing due to high volume production
- Confirms to UL94V-0
- Manufactured in an ISO 9001:2008, ISO/TS 16949:2009 and ISO14001:2004 certified facility
- Fully RoHS & REACH Compliant

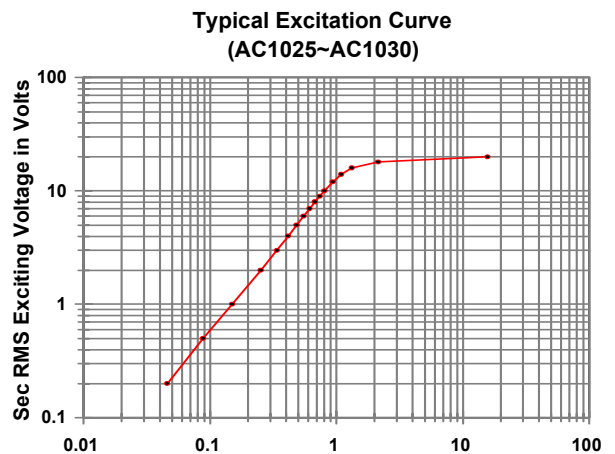
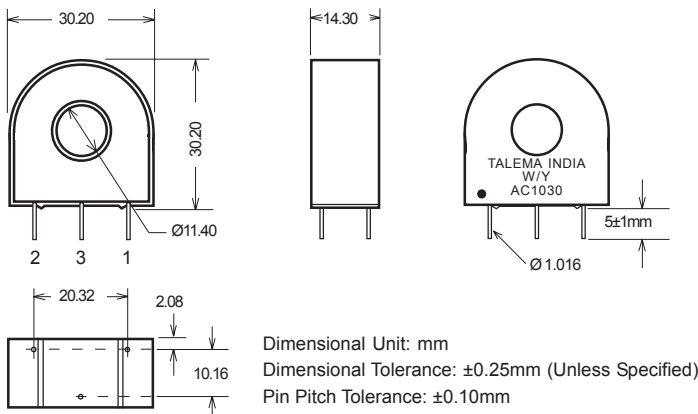


Electrical Specifications @ 20°C ambient	
Primary Current	30A nom., 75A max.
Turns Ratio	1000:1 nominal
Volt per Amp Ratio at 30A for 100 Ohms load	0.100 V/A
Volt per Amp Ratio at 3A for 100 Ohms load	0.098 V/A
DC Resistance at 20°C	48 Ohms
Dielectric Withstanding Voltage (Hi-pot)	4KVrms

Environmental Specifications	
Storage Temperature	-55° to +130°C
Insulation Resistance	100 megohms min.

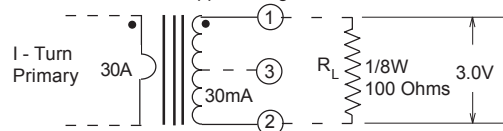


#### Mechanical Drawing



#### Notes:

- 1) Unless requested, the terminating resistor and the one-turn primary are not supplied
- 2) Pin 3: Normally for mechanical support only but will be used on center tapped designs



## AC1040 • 40 Amp Current Transformer

### Low Cost 50/60Hz Current Transformers

#### Applications

- Sensing Overload Current
- Ground fault detection
- Metering
- Analog to Digital Circuits



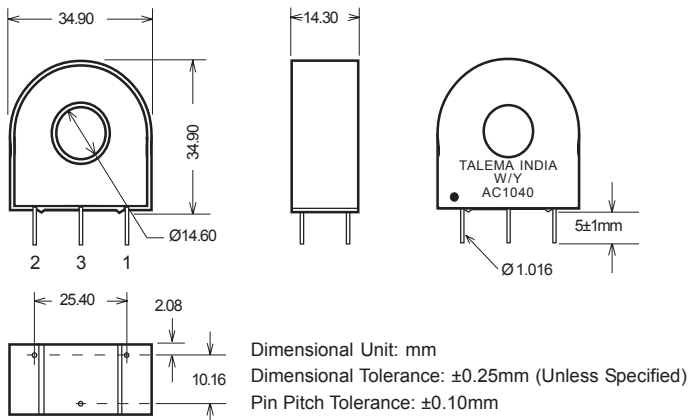
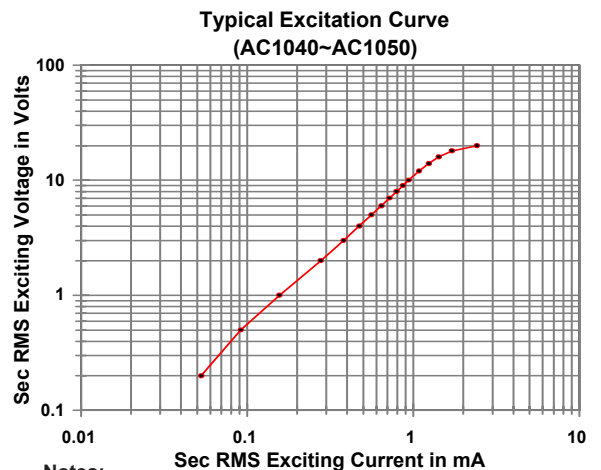
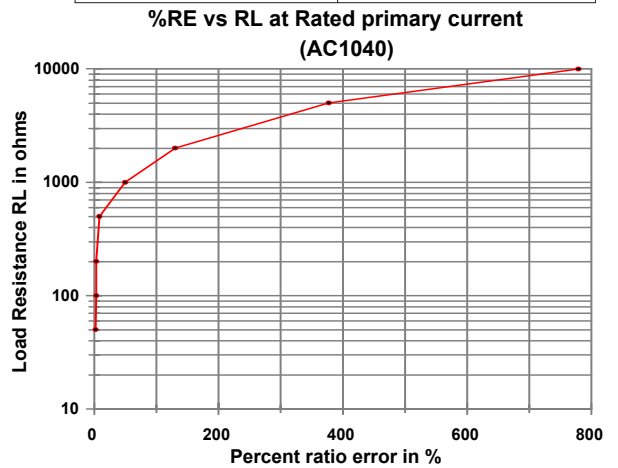
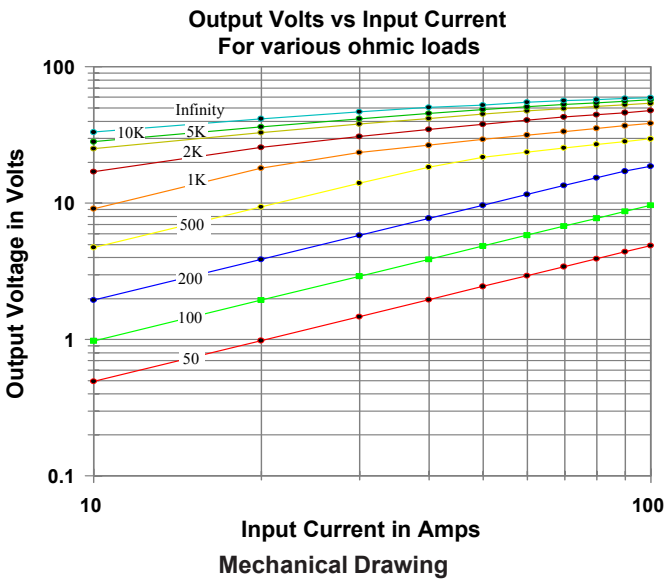
#### Features

- Competitive pricing due to high volume production
- Confirms to UL94V-0
- Manufactured in an ISO 9001:2008, ISO/TS 16949:2009 and ISO14001:2004 certified facility
- Fully RoHS & REACH Compliant



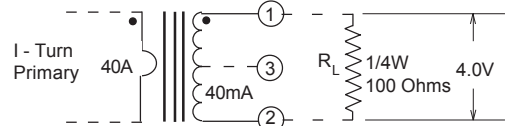
Electrical Specifications @ 20°C ambient	
Primary Current	40A nom., 125A max.
Turns Ratio	1000:1 nominal
Volt per Amp Ratio at 40A for 100 Ohms load	0.100 V/A
Volt per Amp Ratio at 4A for 100 Ohms load	0.098 V/A
DC Resistance at 20°C	49.3 Ohms
Dielectric Withstanding Voltage (Hi-pot)	4KVrms

Environmental Specifications	
Storage Temperature	-55° to +130°C
Insulation Resistance	100 megohms min.



#### Notes:

- 1) Unless requested, the terminating resistor and the one-turn primary are not supplied
- 2) Pin 3: Normally for mechanical support only but will be used on center tapped designs





## AC1050 • 50 Amp Current Transformer

### Low Cost 50/60Hz Current Transformers

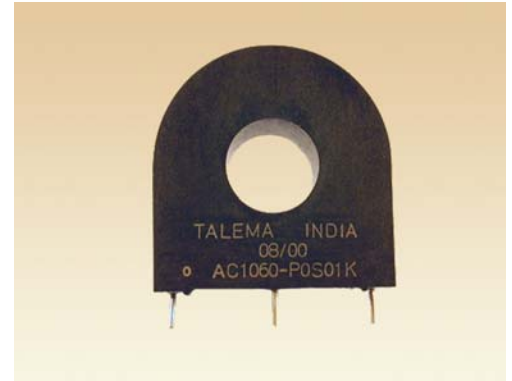
#### Applications

- Sensing Overload Current
- Ground fault detection
- Metering
- Analog to Digital Circuits



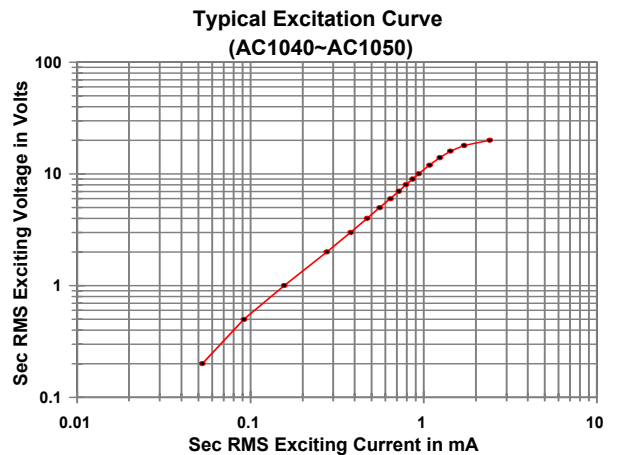
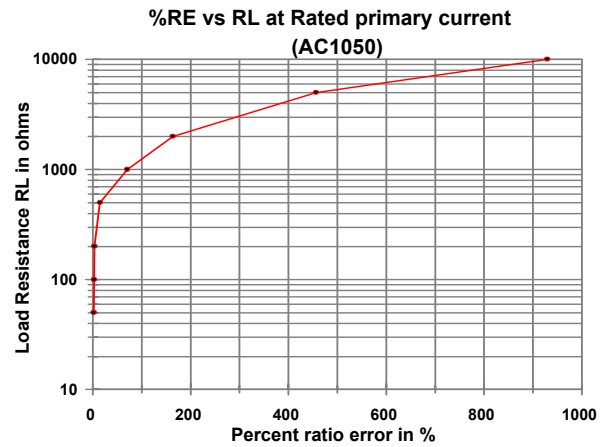
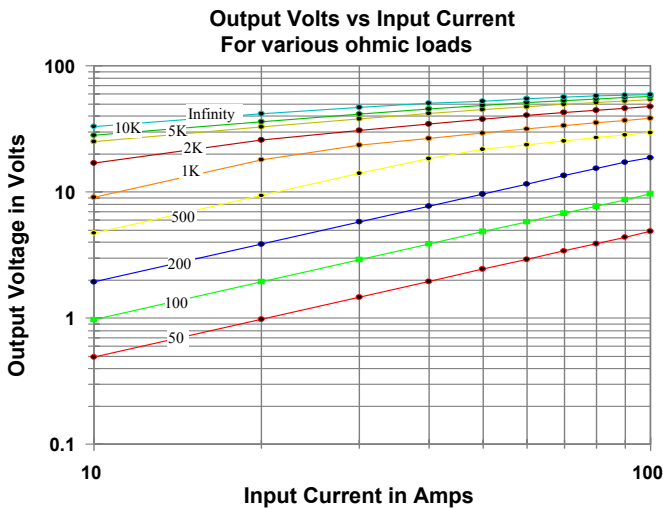
#### Features

- Competitive pricing due to high volume production
- Confirms to UL94V-0
- Manufactured in an ISO 9001:2008, ISO/TS 16949:2009 and ISO14001:2004 certified facility
- Fully RoHS & REACH Compliant

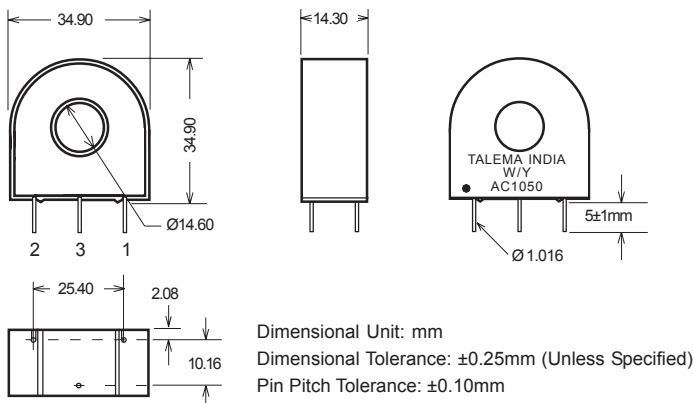


Electrical Specifications @ 20°C ambient	
Primary Current	50A nom., 125A max.
Turns Ratio	1000:1 nominal
Volt per Amp Ratio at 50A for 100 Ohms load	0.100 V/A
Volt per Amp Ratio at 5A for 100 Ohms load	0.098 V/A
DC Resistance at 20°C	49.3 Ohms
Dielectric Withstanding Voltage (Hi-pot)	4KVrms

Environmental Specifications	
Storage Temperature	-55° to +130°C
Insulation Resistance	100 megohms min.

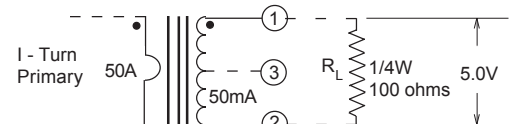


#### Mechanical Drawing



#### Notes:

- 1) Unless requested, the terminating resistor and the one-turn primary are not supplied
- 2) Pin 3: Normally for mechanical support only but will be used on center tapped designs



## AC1060 • 60 Amp Current Transformer

### Low Cost 50/60Hz Current Transformers

#### Applications

- Sensing Overload Current
- Ground fault detection
- Metering
- Analog to Digital Circuits



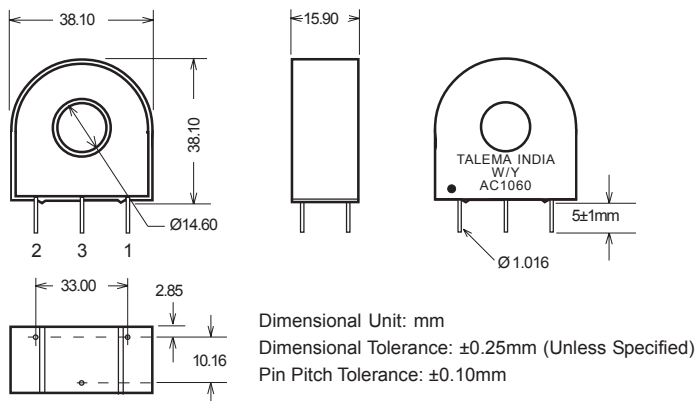
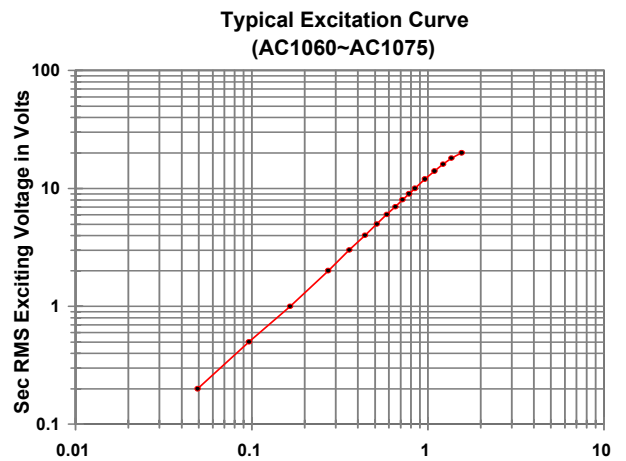
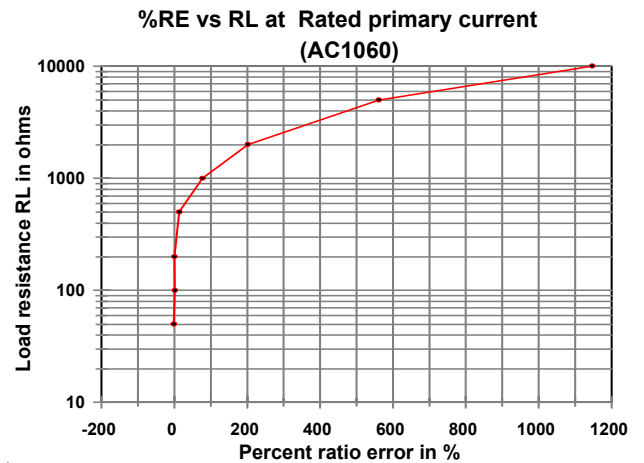
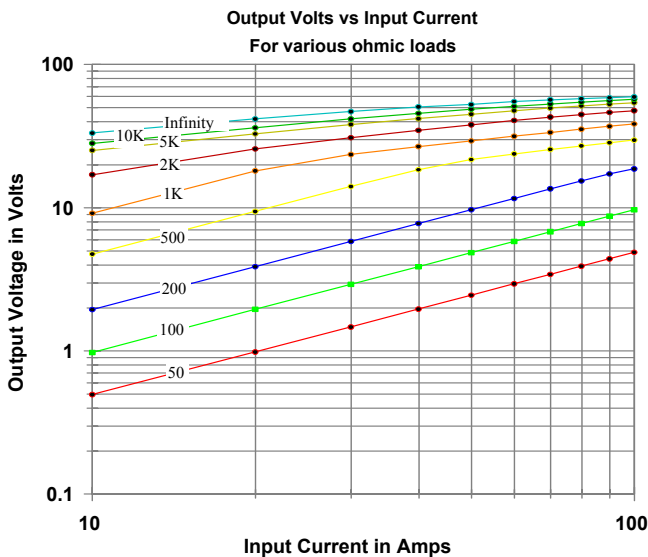
#### Features

- Competitive pricing due to high volume production
- Confirms to UL94V-0
- Manufactured in an ISO 9001:2008, ISO/TS 16949:2009 and ISO14001:2004 certified facility
- Fully RoHS & REACH Compliant

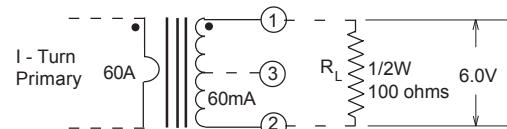


Electrical Specifications @ 20°C ambient	
Primary Current	60A nom., 200A max.
Turns Ratio	1000:1 nominal
Volt per Amp Ratio at 60A for 100 ohm load	0.100 V/A
Volt per Amp Ratio at 6A for 100 ohm load	0.0984 V/A
DC Resistance at 20°C	24 ohms
Dielectric Withstanding Voltage (Hi-pot)	4KVrms

Environmental Specifications	
Storage Temperature	-55° to +130°C
Insulation Resistance	100 megohms min.



- Notes:**
- 1) Unless requested, the terminating resistor and the one-turn primary are not supplied
  - 2) Pin 3: Normally for mechanical support only but will be used on center tapped designs



## AC1075 • 75 Amp Current Transformer

### Low Cost 50/60Hz Current Transformers

#### Applications

- Sensing Overload Current
- Ground fault detection
- Metering
- Analog to Digital Circuits



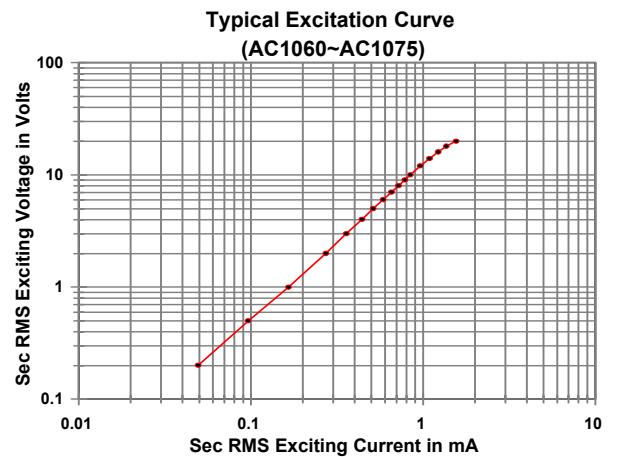
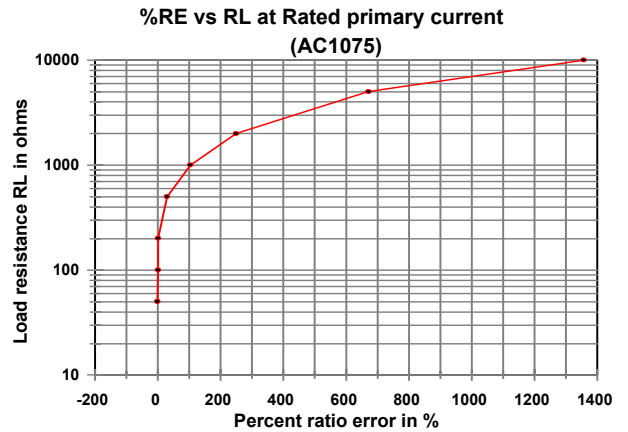
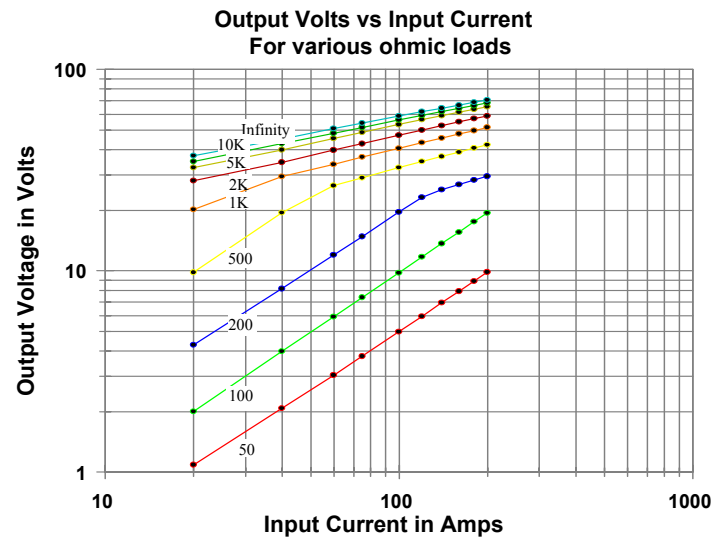
#### Features

- Competitive pricing due to high volume production
- Confirms to UL94V-0
- Manufactured in an ISO 9001:2008, ISO/TS 16949:2009 and ISO14001:2004 certified facility
- Fully RoHS & REACH Compliant

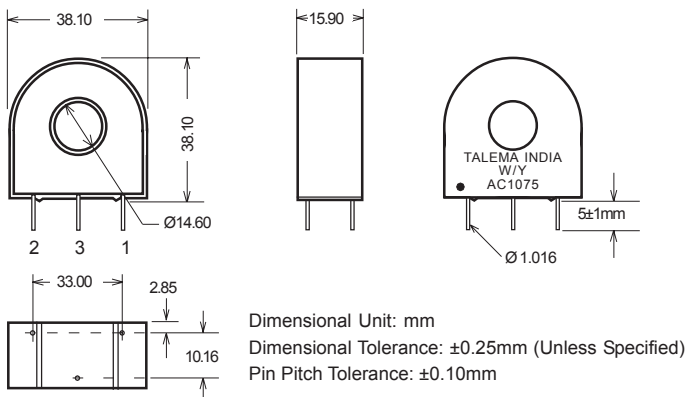


Electrical Specifications @ 20°C ambient	
Primary Current	75A nom., 200A max.
Turns Ratio	1000:1 nominal
Volt per Amp Ratio at 75A for 100 ohm load	0.100 V/A
Volt per Amp Ratio at 7.5A for 100 ohm load	0.0984 V/A
DC Resistance at 20°C	24 ohms
Dielectric Withstanding Voltage (Hi-pot)	4KVrms

Environmental Specifications	
Storage Temperature	-55° to +130°C
Insulation Resistance	100 megohms min.

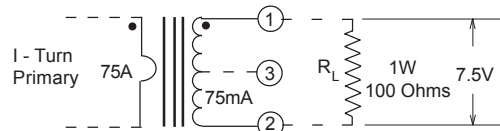


#### Mechanical Drawing



#### Notes:

- 1) Unless requested, the terminating resistor and the one-turn primary are not supplied
- 2) Pin 3: Normally for mechanical support only but will be used on center tapped designs



## AC1100 • 100 Amp Current Transformer

### Low Cost 50/60Hz Current Transformers

#### Applications

- Sensing Overload Current
- Ground fault detection
- Metering
- Analog to Digital Circuits



#### Features

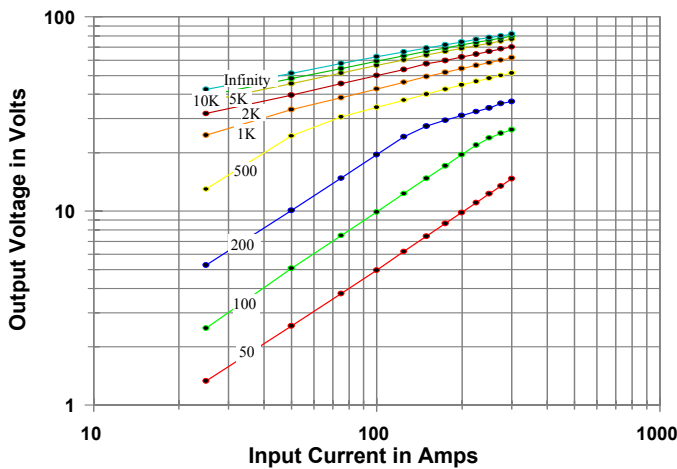
- Competitive pricing due to high volume production
- Confirms to UL94V-0
- Manufactured in an ISO 9001:2008, ISO/TS 16949:2009 and ISO14001:2004 certified facility
- Fully RoHS & REACH Compliant



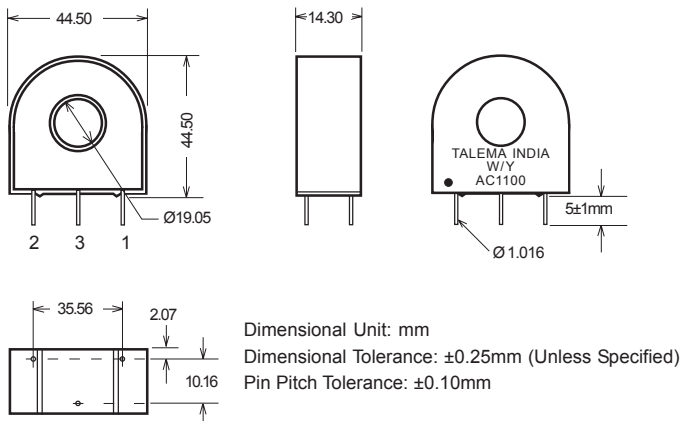
Electrical Specifications @ 20°C ambient	
Primary Current	100A nom., 250A max.
Turns Ratio	1000:1 nominal
Volt per Amp Ratio at 100A for 100 Ohm load	0.100 V/A
Volt per Amp Ratio at 10A for 100 Ohm load	0.0986 V/A
DC Resistance at 20°C	21.3 Ohms
Dielectric Withstanding Voltage (Hi-pot)	4KVrms

Environmental Specifications	
Storage Temperature	-55° to +130°C
Insulation Resistance	100 megohms min.

**Output Volts vs Input Current  
For various ohmic loads**

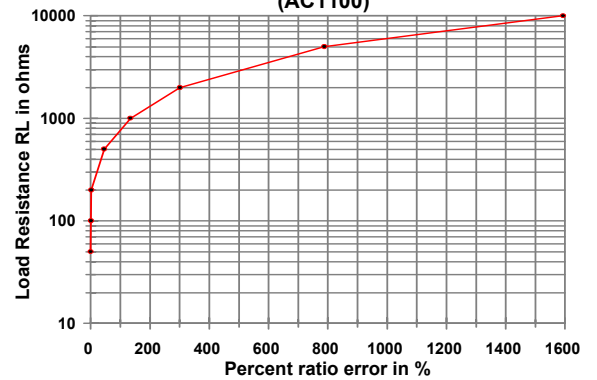


**Mechanical Drawing**

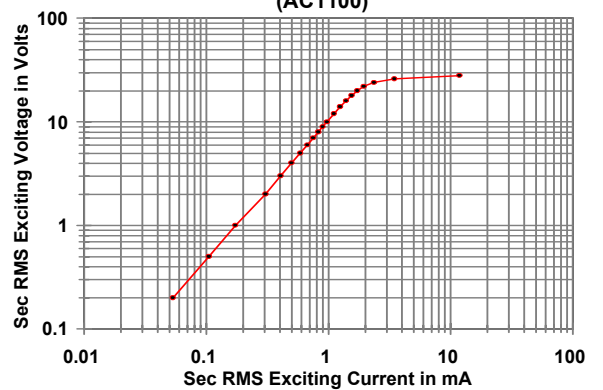


#### Environmental Specifications

**%RE vs RL at Rated primary current  
(AC1100)**

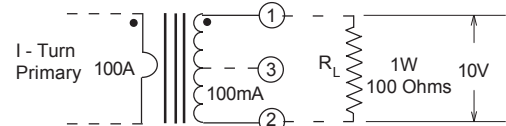


**Typical Excitation Curve  
(AC1100)**



**Notes:**

- 1) Unless requested, the terminating resistor and the one-turn primary are not supplied
- 2) Pin 3: Normally for mechanical support only but will be used on center tapped designs



## AC1150 • 150 Amp Current Transformer

### Low Cost 50/60Hz Current Transformers

#### Applications

- Sensing Overload Current
- Ground fault detection
- Metering
- Analog to Digital Circuits



#### Features

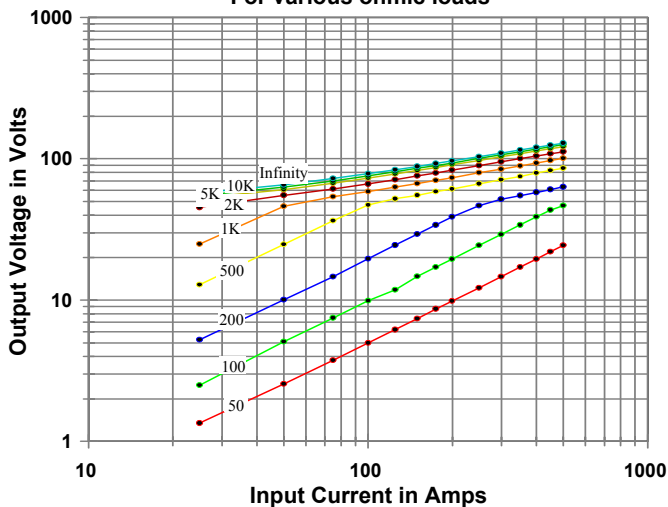
- Competitive pricing due to high volume production
- Confirms to UL94V-0
- Manufactured in an ISO 9001:2008, ISO/TS 16949:2009 and ISO14001:2004 certified facility
- Fully RoHS & REACH Compliant



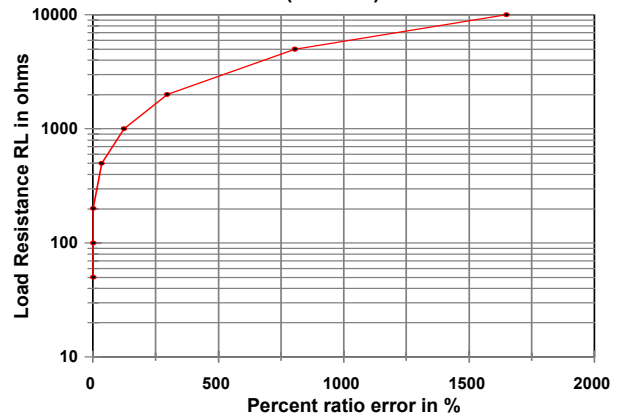
Electrical Specifications @ 20°C ambient	
Primary Current	150A nom., 500A max.
Turns Ratio	1000:1 nominal
Volt per Amp Ratio at 150A for 100 Ohms load	0.100 V/A
Volt per Amp Ratio at 15A for 100 Ohms load	0.0990 V/A
DC Resistance at 20°C	11 Ohms
Dielectric Withstanding Voltage (Hi-pot)	4KVrms

Environmental Specifications	
Storage Temperature	-55° to +130°C
Insulation Resistance	100 megohms min.

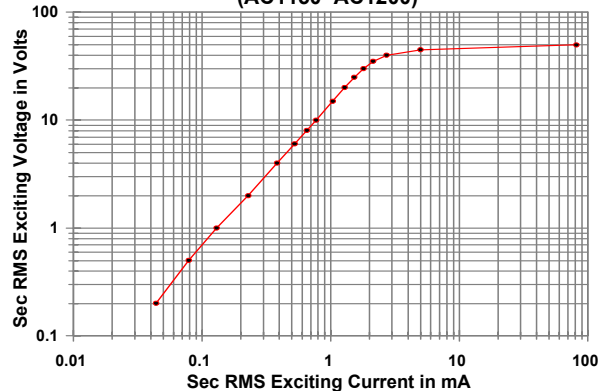
**Output Volts vs Input Current  
For various ohmic loads**



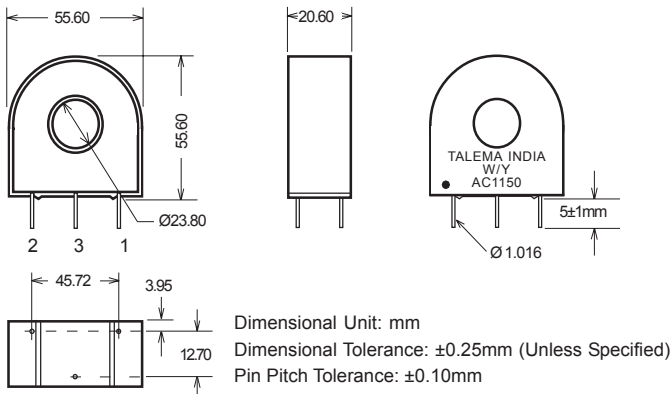
**%RE vs RL at Rated primary current  
(AC1150)**



**Typical Excitation Curve  
(AC1150-AC1200)**

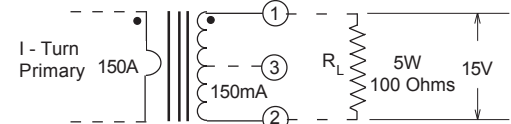


#### Mechanical Drawing



#### Notes:

- 1) Unless requested, the terminating resistor and the one-turn primary are not supplied
- 2) Pin 3: Normally for mechanical support only but will be used on center tapped designs



## AC1200 • 200 Amp Current Transformer

### Low Cost 50/60Hz Current Transformers

#### Applications

- Sensing Overload Current
- Ground fault detection
- Metering
- Analog to Digital Circuits



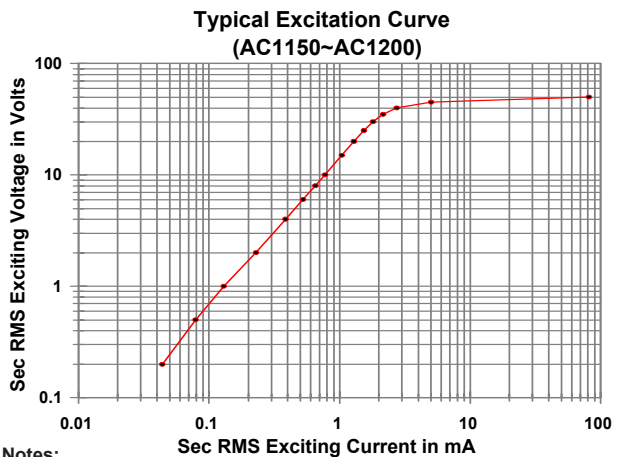
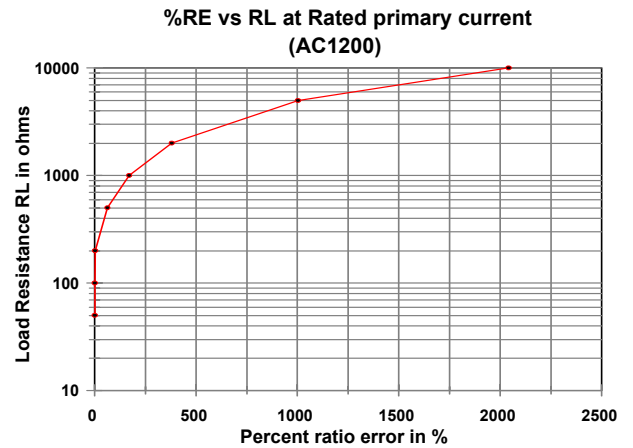
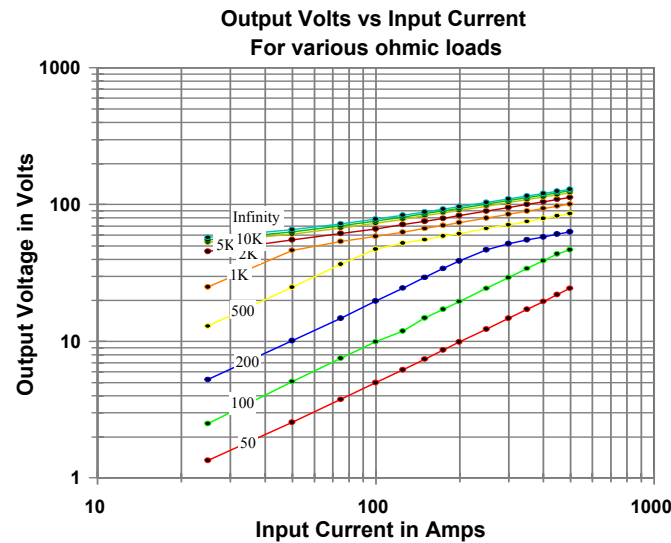
#### Features

- Competitive pricing due to high volume production
- Confirms to UL94V-0
- Manufactured in an ISO 9001:2008, ISO/TS 16949:2009 and ISO14001:2004 certified facility
- Fully RoHS & REACH Compliant

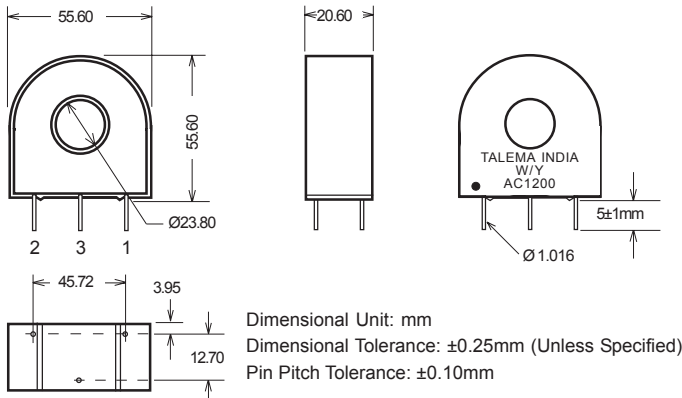


Electrical Specifications @ 20°C ambient	
Primary Current	200A nom., 500A max.
Turns Ratio	1000:1 nominal
Volt per Amp Ratio at 200A for 100 ohm load	0.100 V/A
Volt per Amp Ratio at 20A for 100 ohm load	0.0991 V/A
DC Resistance at 20°C	11 ohms
Dielectric Withstanding Voltage (Hi-pot)	4KVrms

Environmental Specifications	
Storage Temperature	-55° to +130°C
Insulation Resistance	100 megohms min.

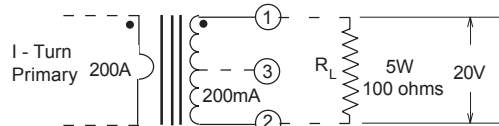


#### Mechanical Drawing



#### Notes:

- 1) Unless requested, the terminating resistor and the one-turn primary are not supplied
- 2) Pin 3: Normally for mechanical support only but will be used on center tapped designs



**Regional Locations - Design, Manufacturing, Sales & Marketing**

**Talema Group Regional Offices**

**North America**

**United States  
(Sales & Marketing)**

**Talema Group, LLC**  
 PO Box 935  
 900 Innovation Drive  
 Suite 120, Rolla  
 Missouri 65402  
 Tel: +1 573-303-3675  
 E-Mail:  
 sales@talemagroup.com  
 Web: www.talema.com

**Asia**

**India  
(Design, Manufacturing, Sales & Marketing)**

**Administrative Office**  
**Talema Electronic India Private Limited**  
 Door No. 221, 1st and 2nd Floor  
 KJ Plaza, Opp.to Vidya Mandir School  
 Meyanur Main Road  
 Salem - 636 004 Tamil Nadu INDIA.  
 Tel: +91 427 - 243 3100  
 Fax: +91 427 - 243 3109  
 E-Mail: talema@talemaindia.net  
 Web: www.talema.com

**Factory Premises**  
**Talema Electronic India Private Limited**  
 No. 31 & 31, Electronic Industrial Estate  
 Suramangalam Post  
 Salem - 636 005 Tamil Nadu INDIA  
 Tel: +91 427 - 243 3000  
 E-Mail: talema@talemaindia.net  
 Web: www.talema.com

**Europe**

**Germany  
(Design, Sales & Marketing)**

**Talema Elektronik GmbH**  
 Sembdnerstr. 5  
 82110 Germering  
 Tel: +49 89 - 841 00 - 0  
 Fax: +49 89 - 841 00 25  
 E-Mail: info@talema.de  
 Web: www.talema.com

**Ireland  
(Design, Sales & Marketing)**

**Nuvotem TEO**  
 Units W & X, Gweedore Business Park  
 Derrybeg, Letterkenny, Co. Donegal  
 Tel: +353 (0) 74 95 48666  
 Fax: +353 (0) 74 95 48139  
 E-Mail: info@nuvotem.com  
 Web: www.nuvotem.com

**Czech Republic  
(Design, Manufacturing, Sales & Marketing)**

**NT Magnetics s.r.o.**  
 Chebská 27  
 322 00 Plzeň  
 Tel: +420 377 - 338 351  
 Fax: +420 377 - 338 350  
 E-Mail: talema@talema.cz  
 Web: www.ntmagnetics.cz

**Locations of Talema Group Regional Offices**

